



Saskatoon Water
831 1th Street West
Saskatoon SK S7M 1X5

www.saskatoon.ca
tel (306) 975.2534

The following are draft revisions to standard water meter drawings. These drawings are version 1.1, published November 27, 2024.

NOTES:

1. CLEARANCE AROUND METER: 500mm (20") TO REAR, 500mm (20") TO SIDES, 1000mm (39") IN FRONT.
2. VALVES: GATE OR BALL, BYPASS VALVE SHALL BE LOCKABLE.
3. TEST PORT: FOR TURBINE METERS, COMPOUND AND MAGNETIC METERS.
4. GASKETS: 3mm THICK.
5. STRAINER LENGTH: 75mm-150mm, 100mm-187.5mm, 150mm-225mm.
6. METER LENGTH
 - A. TURBINE: 75mm-300mm, 100mm-350mm, 150mm-450mm.
 - B. COMPOUND: 75mm-425mm, 100mm-500mm, 150mm-600mm.
 - C. AQUAMASTER MAGNETIC FLOWMETER: 75mm-200mm, 100mm-250mm, 150mm-300mm.
7. AQUAMASTER MAGNETIC FLOWMETER STRAINER LOCATED AFTER DOWNSTREAM PIPE LENGTHS.
8. FLOOR DRAIN REQUIRED WITHIN 2000mm (78") OF METER ASSEMBLY
9. FOR POSSIBLE 75mm (3"), & 100mm (4") METER SUBSTITUTION USE PARALLEL METER INSTALLATION (SEE DWG 102-0013-025).
10. FIVE PIPE DIAMETERS OF STRAIGHT PIPE AHEAD OF STRAINER AND FOUR DIAMETERS OF STRAIGHT PIPE AFTER THE METER.
11. ALLOW ADEQUATE ROOM FOR TESTING OF APPROVED BACK FLOW ASSEMBLY.
12. THERE SHALL BE NO TAPS, TAKE-OFFS OR TIE-INS TO THE SERVICE PLUMBING UPSTREAM OF THE APPROVED BACK FLOW ASSEMBLY.
13. THERE SHALL BE NO BYPASSES AROUND THE APPROVED BACK FLOW ASSEMBLY UNLESS THE BYPASS IS FITTED WITH AN APPROVED BACK FLOW ASSEMBLY OF THE SAME TYPE.
14. APPROVED BACK FLOW ASSEMBLY, APPROPRIATE FOR THE HAZARD CLASSIFICATION, TO BE INSTALLED DOWNSTREAM FROM BYPASS. ALL NEW METER INSTALLATIONS MORE THAN THIRTY-EIGHT (38) MILLIMETRES IN DIAMETER SHALL BE FIRST APPROVED BY THE SASKATOON WATER DEPARTMENT THROUGH THE SUBMISSION OF A METER SETTING DRAWING ACCEPTABLE TO THE SASKATOON WATER DEPARTMENT.
15. THE OWNER SHALL PROVIDE A SUITABLE SITE FOR THE WATER METER AT A HORIZONTAL SETTING, WITHIN 2m OF THE POINT OF ENTRY FOR THE WATER SERVICE CONNECTION INSIDE THE BUILDING AS PER BYLAW #7567.
16. WATER METERS SHALL REQUIRE 2000mm (6') HEADROOM SERVICE CLEARANCE IN FRONT OF THE METER AND SHALL NOT BE INSTALLED IN CRAWLSPACES, CONFINED ENTRY SPACES OR SPACES THAT REQUIRE A FALL PROTECTION EQUIPMENT SYSTEM FOR ACCESS AS DEFINED BY THE OCCUPATIONAL HEALTH AND SAFETY REGULATIONS OF SASKATCHEWAN. IF THIS CANNOT BE ACHIEVED WITHIN THE TYPICAL DIMENSIONS SHOWN ON THIS DRAWING, THE METER LOCATION AND ACCESS MUST BE APPROVED BY THE SASKATOON WATER DEPARTMENT.
17. PIPING MATERIAL AND INSTALLATION MUST COMPLY WITH THE CANADIAN PLUMBING CODE AND THE CITY OF SASKATOON STANDARD CONSTRUCTION SPECIFICATIONS. PIPING ON EACH SIDE OF THE METER SHALL BE ADEQUATELY SUPPORTED AND ANCHORED TO MAINTAIN PIPE ALIGNMENT AND SUPPORT THE WEIGHT OF THE METER AND BACKFLOW ASSEMBLY.
18. PROVIDE POWER OUTLET NEAR WATER METER FOR MAGNETIC FLOWMETER INSTALLATIONS. CHECK WITH SASKATOON WATER DEPARTMENT FOR POWER REQUIREMENTS.

EXTRACT FROM BYLAW #7567
NEW WATER METERS

24. (1) ALL SERVICED BUILDINGS CONSTRUCTED AFTER THE PASSAGE OF THIS BYLAW SHALL HAVE A REMOTE READOUT WATER METER AT A LOCATION DETERMINED BY SASKATOON WATER DEPARTMENT.

(2) THE WIRE TYPE USED FOR THE INSTALLATION OF A REMOTE READOUT WATER METER SHALL BE CSA TYPE PCC, FT4, 22AWG OR EQUIVALENT, INSTALLED AT THE OWNER'S EXPENSE.

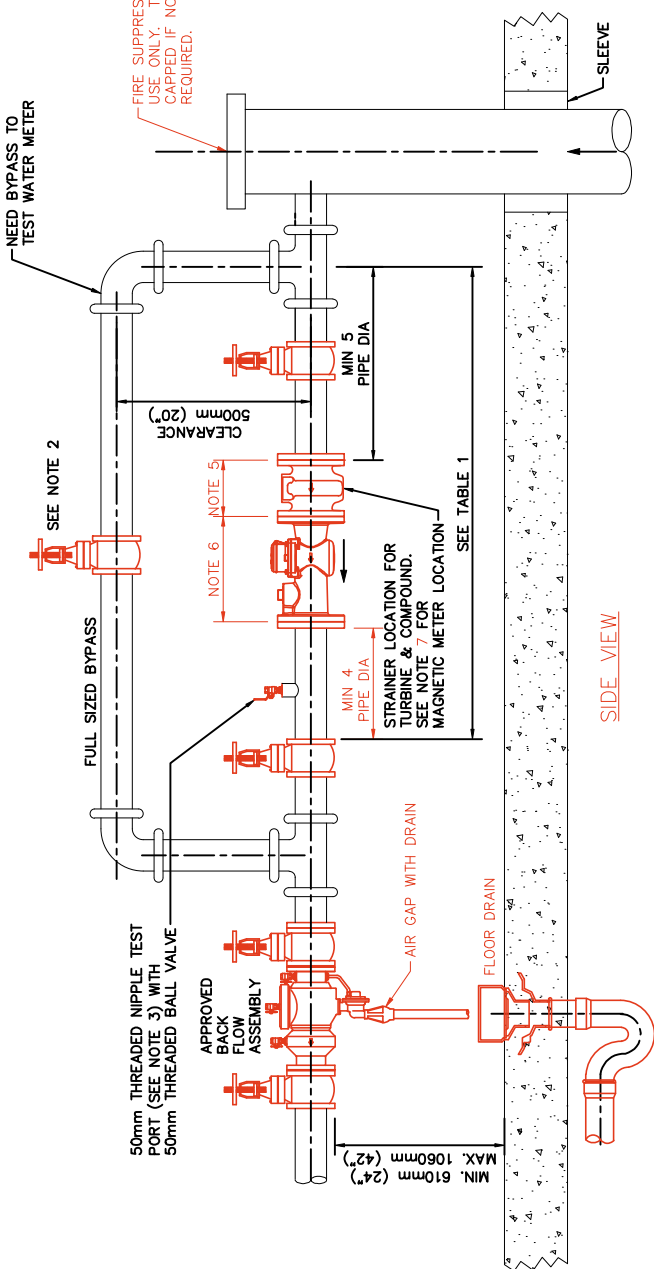
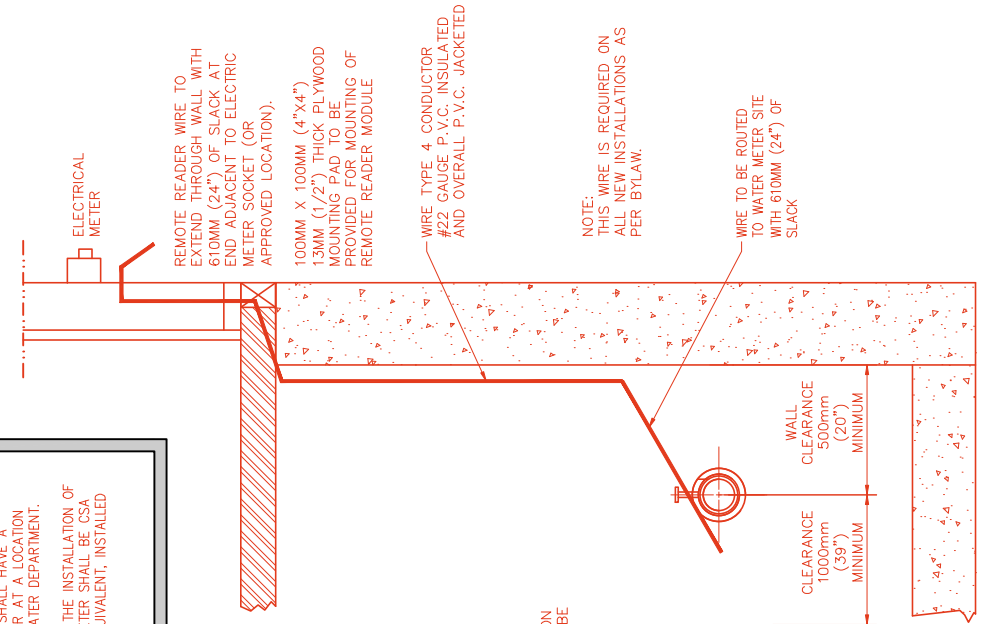


TABLE 1 - METER SPACING

METER SIZE	MIN LENGTH
75mm (3")	1300mm (52")
100mm (4")	1500mm (60")
150mm (6")	1800mm (72")

PLAN DESCRIPTION/REVISION	DATE	BY
1 ORIGINAL STANDARD SPECIFICATION DRAWING	2011-JUL-11	TPD
2 REVISED BYPASS	2016-MAY-24	DMR
3 CHGD DWG NUMBER, TITLE BLOCK & NOTE 13. REMOVED CONTACT INFO.	2024-FEB-28	MJ/DLH
4 UPDATED DRAWING AND NOTES. ADDED FLOOR DRAIN	2024-NOV-01	OCO

City of Saskatoon

TYPICAL LARGE WATER METER INSTALLATION 75mm, 100mm & 150mm COMPOUND, TURBINE METERS, & AQUAMASTER MAGNETIC FLOWMETER

APPROVALS

SIGNATURE _____ NAME _____ DATE SIGNED _____

SIGNATURE _____ NAME _____ DATE SIGNED _____

PLAN NO. 102-0013-022/004

NOTE: THIS WIRE IS REQUIRED ON ALL NEW INSTALLATIONS AS PER BYLAW.

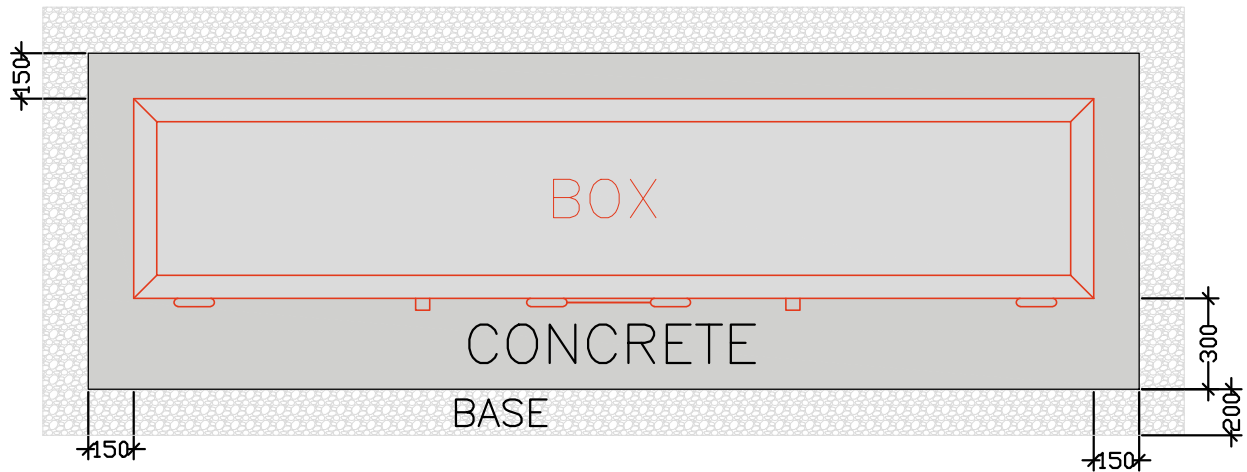
NEED BYPASS TO TEST WATER METER

FRONT VIEW

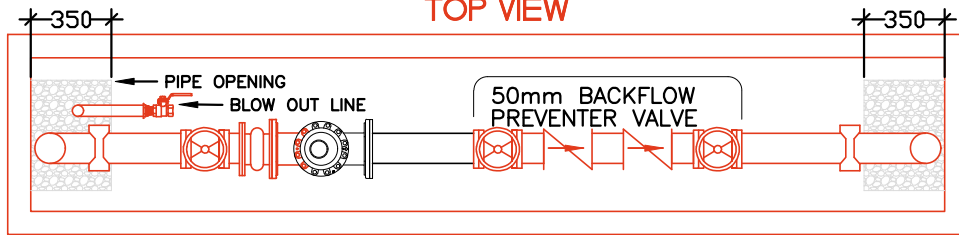
SIDE VIEW

TOP VIEW

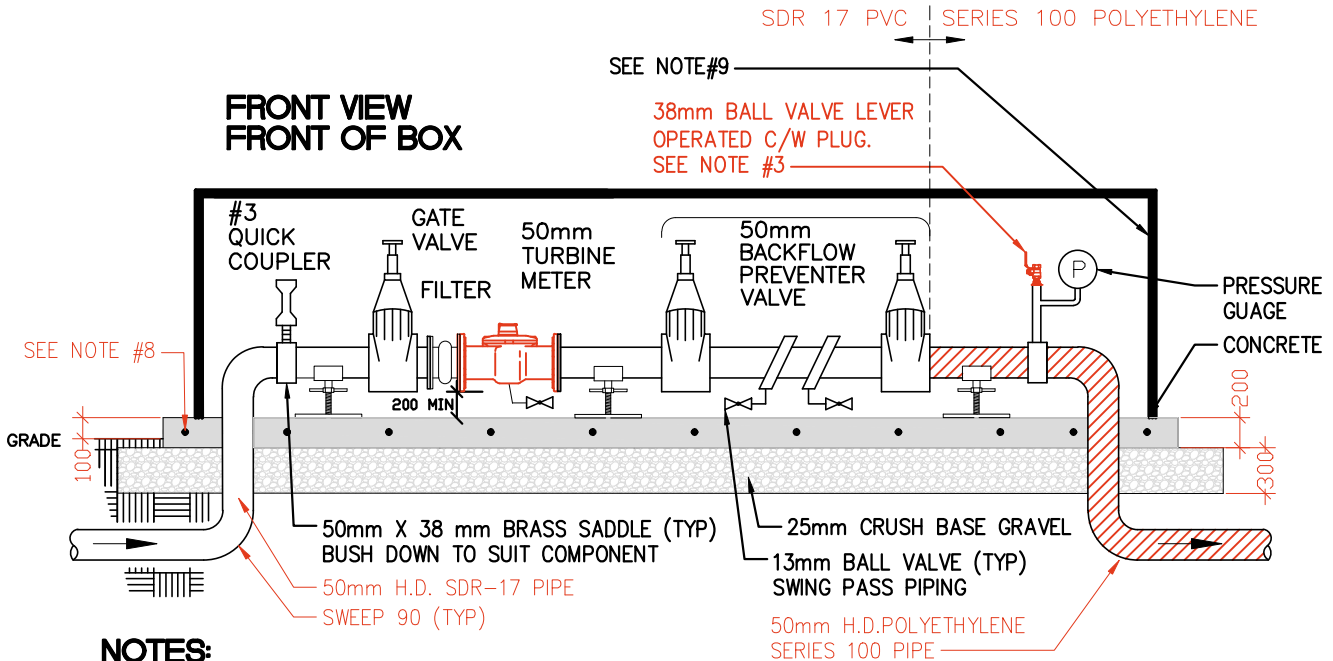
Nov 27, 2024



TOP VIEW



FRONT VIEW
FRONT OF BOX



NOTES:

1. INSTALL PER CLEARANCES RECOMMENDED BY MANUFACTURER.
2. SERVICE BOX SUPPLIED BY CONTRACTOR
3. THREADED PVC PLUGS INSTALLED IN ALL OPEN END VALVES (ie. DRAINS & TEST COCKS ETC.).
4. INSTALL ONLY BRASS SADDLES IN SERVICE BOX.
5. MAXIMUM DISTANCE AT INLET AND OUTLET OF BOX IS 300mm TO FLANGE.
6. LENGTH OF STRAIGHT PIPE BEFORE METER IS 5 X PIPE DIA. AND 3 X PIPE DIA AFTER METER.
7. ALL DIMENSIONS ARE IN MILLIMETERS
8. STEEL REBAR (TYP.)
-10M 400mm O/C EACH WAY
-38mm FROM EDGE
9. COROPLAST ROOT BARRIER TO COVER BOX OPENINGS



Drawing Title

Above Ground Service Box 50mm

Drawing No.

02810-12

Drawn: OO

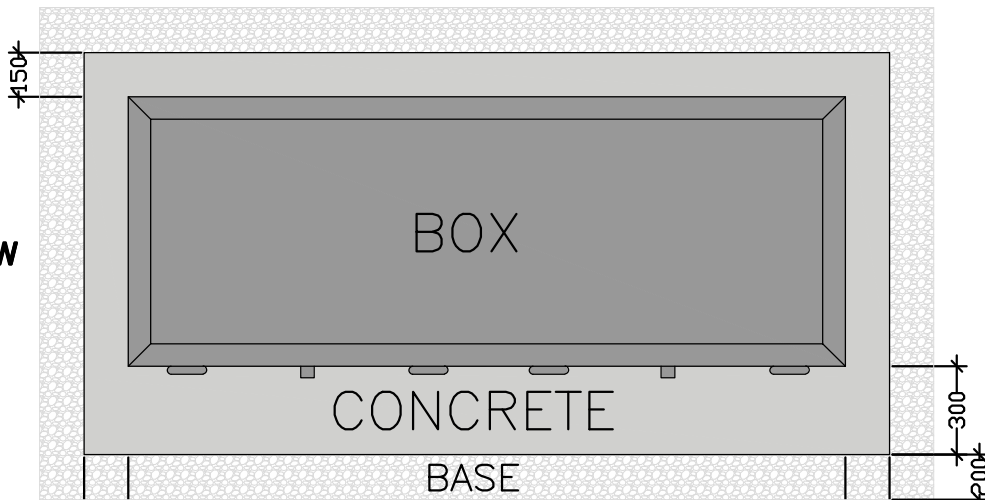
Checked: --

Revised Date Y/M/D 24/10/15

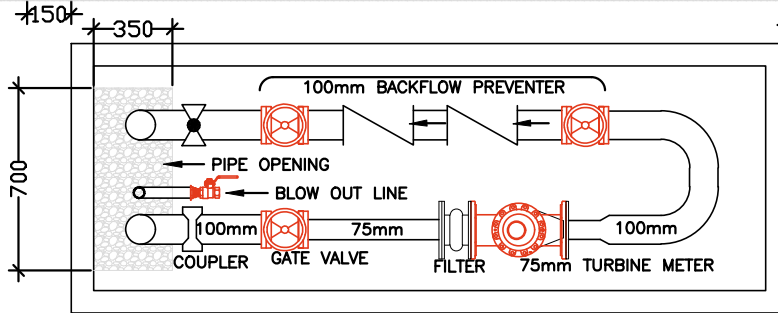
Scale: N.T.S.

Parks

TOP VIEW



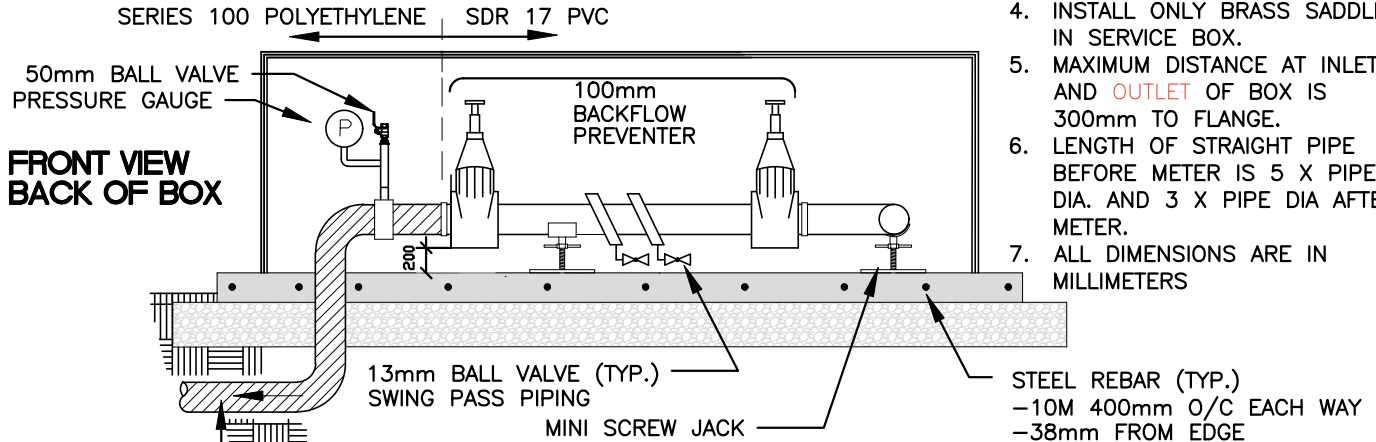
TOP VIEW



NOTE:

1. INSTALL PER CLEARANCES RECOMMENDED BY MANUFACTURER.
2. SERVICE BOX SUPPLIED BY CONTRACTOR
3. THREADED PVC PLUGS INSTALLED IN ALL OPEN END VALVES (ie. DRAINS & TEST COCKS ETC.).
4. INSTALL ONLY BRASS SADDLES IN SERVICE BOX.
5. MAXIMUM DISTANCE AT INLET AND OUTLET OF BOX IS 300mm TO FLANGE.
6. LENGTH OF STRAIGHT PIPE BEFORE METER IS 5 X PIPE DIA. AND 3 X PIPE DIA AFTER METER.
7. ALL DIMENSIONS ARE IN MILLIMETERS

FRONT VIEW
BACK OF BOX



FRONT VIEW
FRONT OF BOX

