



**Saskatoon Water**  
831 11<sup>th</sup> Street West  
Saskatoon SK S7M 1X5

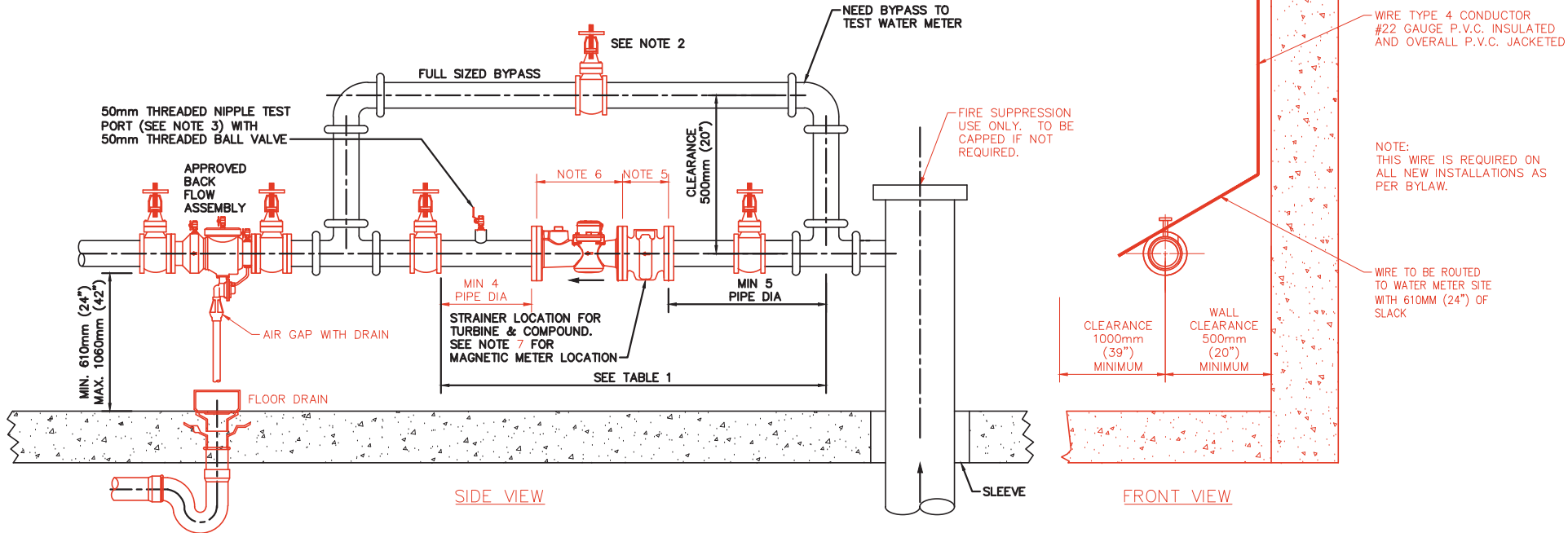
[www.saskatoon.ca](http://www.saskatoon.ca)  
tel (306) 975.2534

The following are draft revisions to standard water meter drawings. These drawings are version 1, published November 18, 2024.

**NOTES:**

1. CLEARANCE AROUND METER: 500mm (20") TO REAR, 500mm (20") TO SIDES, 1000mm (39") IN FRONT.
2. VALVES: GATE OR BALL, BYPASS VALVE SHALL BE LOCKABLE.
3. TEST PORT: FOR TURBINE METERS, COMPOUND AND MAGNETIC METERS.
4. GASKETS: 3mm THICK.
5. STRAINER LENGTH: 75mm-150mm, 100mm-187.5mm, 150mm-225mm.
6. METER LENGTH
  - A. TURBINE: 75mm-300mm, 100mm-350mm, 150mm-450mm.
  - B. COMPOUND: 75mm-425mm, 100mm-500mm, 150mm-600mm.
  - C. AQUAMASTER MAGNETIC FLOWMETER: 75mm-200mm, 100mm-250mm, 150mm-300mm.
7. AQUAMASTER MAGNETIC FLOWMETER STRAINER LOCATED AFTER DOWNSTREAM PIPE LENGTHS.
8. FLOOR DRAIN REQUIRED WITHIN 2000mm (78") OF METER ASSEMBLY
9. FOR POSSIBLE 75mm (3") & 100mm (4") METER SUBSTITUTION USE PARALLEL METER INSTALLATION (SEE DWG 102-0013-025).
10. FIVE PIPE DIAMETERS OF STRAIGHT PIPE AHEAD OF STRAINER AND FOUR DIAMETERS OF STRAIGHT PIPE AFTER THE METER.
11. ALLOW ADEQUATE ROOM FOR TESTING OF APPROVED BACK FLOW ASSEMBLY.
12. THERE SHALL BE NO TAPS, TAKE-OFFS OR TIE-INS TO THE SERVICE PLUMBING UPSTREAM OF THE APPROVED BACK FLOW ASSEMBLY.
13. THERE SHALL BE NO BYPASSES AROUND THE APPROVED BACK FLOW ASSEMBLY UNLESS THE BYPASS IS FITTED WITH AN APPROVED BACK FLOW ASSEMBLY OF THE SAME TYPE.
14. APPROVED BACK FLOW ASSEMBLY, APPROPRIATE FOR THE HAZARD CLASSIFICATION, TO BE INSTALLED DOWNSTREAM FROM BYPASS. ALL NEW METER INSTALLATIONS MORE THAN THIRTY-EIGHT (38) MILLIMETRES IN DIAMETER SHALL BE FIRST APPROVED BY THE SASKATOON WATER DEPARTMENT, THROUGH THE SUBMISSION OF A METER SETTING DRAWING ACCEPTABLE TO THE SASKATOON WATER DEPARTMENT. THE OWNER SHALL PROVIDE A SUITABLE SITE FOR THE WATER METER AT A HORIZONTAL SETTING, WITHIN 2m OF THE POINT OF ENTRY FOR THE WATER SERVICE CONNECTION INSIDE THE BUILDING AS PER BYLAW #7567.
11. WATER METERS SHALL REQUIRE 2M (6') HEADROOM SERVICE CLEARANCE IN FRONT OF THE METER AND SHALL NOT BE INSTALLED IN CRAWLSPACES, CONFINED ENTRY SPACES OR SPACES THAT REQUIRE A FALL PROTECTION EQUIPMENT SYSTEM FOR ACCESS AS DEFINED BY THE OCCUPATIONAL HEALTH AND SAFETY REGULATIONS OF SASKATCHEWAN. IF THIS CANNOT BE ACHIEVED WITHIN THE TYPICAL DIMENSIONS SHOWN ON THIS DRAWING, THE METER LOCATION AND ACCESS MUST BE APPROVED BY THE SASKATOON WATER DEPARTMENT.
12. PIPING MATERIAL AND INSTALLATION MUST COMPLY WITH THE CANADIAN PLUMBING CODE AND THE CITY OF SASKATOON STANDARD CONSTRUCTION SPECIFICATIONS. PIPING ON EACH SIDE OF THE METER SHALL BE ADEQUATELY SUPPORTED AND ANCHORED TO MAINTAIN PIPE ALIGNMENT AND SUPPORT THE WEIGHT OF THE METER AND BACKFLOW ASSEMBLY.
13. PROVIDE POWER OUTLET NEAR WATER METER FOR MAGNETIC FLOWMETER INSTALLATIONS. CHECK WITH SASKATOON WATER DEPARTMENT FOR POWER REQUIREMENTS.

EXTRACT FROM BYLAW #7567  
 NEW WATER METERS  
 24. (1) ALL SERVICED BUILDINGS CONSTRUCTED AFTER THE PASSAGE OF THIS BYLAW SHALL HAVE A REMOTE READOUT WATER METER AT A LOCATION DETERMINED BY SASKATOON WATER DEPARTMENT.  
 (2) THE WIRE TYPE USED FOR THE INSTALLATION OF A REMOTE READOUT WATER METER SHALL BE CSA TYPE PCC, FT4, 22AWG OR EQUIVALENT, INSTALLED AT THE OWNER'S EXPENSE.



**TABLE 1 - METER SPACING**

METER SIZE	MIN LENGTH
75mm (3")	1300mm (52")
100mm (4")	1500mm (60")
150mm (6")	1800mm (72")

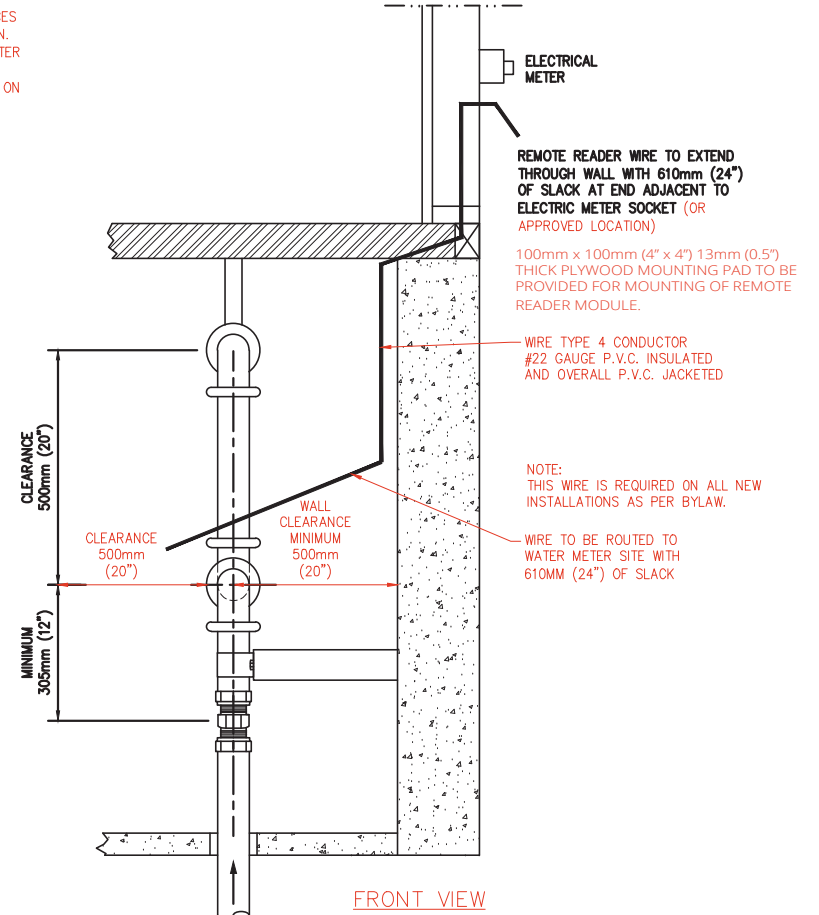
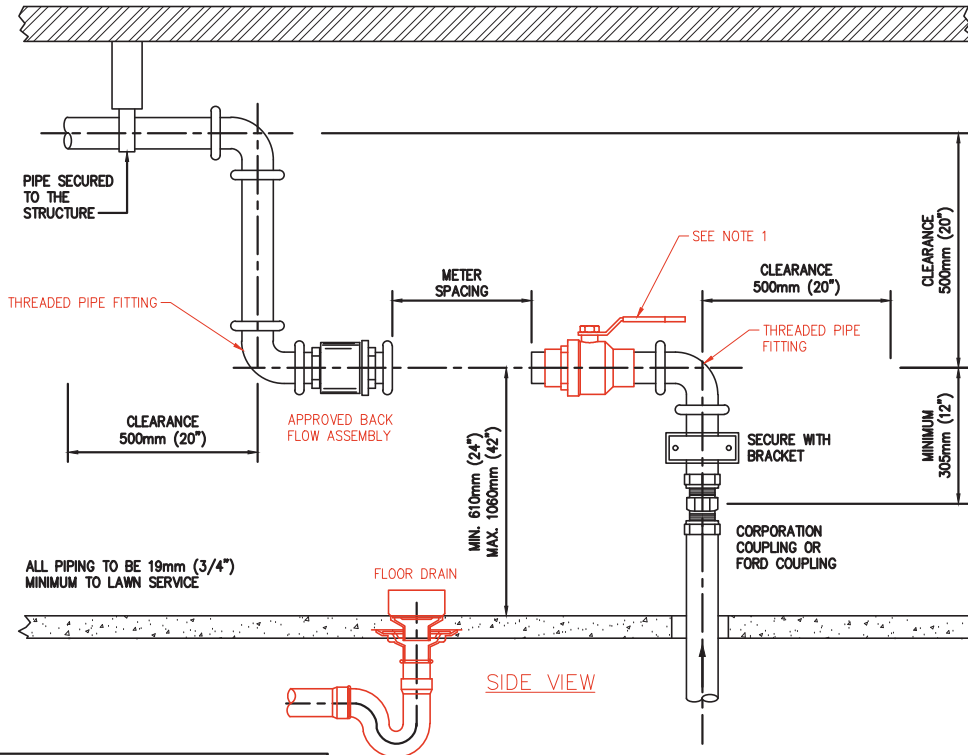
PLAN DESCRIPTION/REVISION	DATE	BY
1 ORIGINAL STANDARD SPECIFICATION DRAWING	2011-JUL-11	TPD
2 REVISED BYPASS	2016-MAY-24	DMR
3 CHGD DWG NUMBER, TITLE BLOCK & NOTE 13. REMOVED CONTACT INFO.	2024-FEB-28	MJ/DLH
4 UPDATED DRAWING AND NOTES. ADDED FLOOR DRAIN	2024-NOV-01	OCO

  
**TYPICAL LARGE WATER METER  
 INSTALLATION 75mm, 100mm & 150mm  
 COMPOUND, TURBINE METERS, &  
 AQUAMASTER MAGNETIC FLOWMETER**

APPROVALS	
SIGNATURE	SIGNATURE
NAME	NAME
DATE SIGNED	DATE SIGNED
SCALES: HOR. NTS VERT.	PLAN NO. <b>102-0013-022r004</b>

**NOTES:**

1. FULL PORT BALL VALVE UPSTREAM.
2. METER MUST BE SITUATED IN AN ACCESSIBLE LOCATION WITH NO PERMANENT FIXTURES WITHIN 500mm (20") OF THE METER.
3. \*BYPASS IS NOT REQUIRED.\* CONTACT WATER METER SECTION FOR APPROVAL REQUIREMENTS.
4. METER SPACING (F.I.P. TO F.I.P.)  
 19mm (3/4") = 230mm (9")  
 25mm (1") = 270mm (10 3/4")
5. FLOOR DRAIN REQUIRED WITHIN 2000mm (78") OF METER ASSEMBLY
6. ALLOW ADEQUATE ROOM FOR TESTING OF APPROVED BACK FLOW ASSEMBLY.
7. THERE SHALL BE NO TAPS, TAKE-OFFS OR TIE-INS TO THE SERVICE PLUMBING UPSTREAM OF THE APPROVED BACK FLOW ASSEMBLY.
8. THERE SHALL BE NO BYPASSES AROUND THE APPROVED BACK FLOW ASSEMBLY UNLESS THE BYPASS IS FITTED WITH AN APPROVED BACK FLOW ASSEMBLY OF THE SAME TYPE.
9. APPROVED BACK FLOW ASSEMBLY, APPROPRIATE FOR THE HAZARD CLASSIFICATION MUST BE INSTALLED WITHIN 3m OF SERVICE ENTRY DOWNSTREAM OF THE METER.
10. THE OWNER SHALL PROVIDE A SUITABLE SITE FOR THE WATER METER AT A HORIZONTAL SETTING, WITHIN 2m OF POINT OF ENTRY FOR THE WATER SERVICE CONNECTION INSIDE THE BUILDING AS PER BYLAW #7567.
11. WATER METERS SHALL REQUIRE 2m (6') HEADROOM SERVICE CLEARANCE IN FRONT OF THE METER AND SHALL NOT BE INSTALLED IN CRAWLSPACES, CONFINED ENTRY SPACES OR SPACES THAT REQUIRE A FALL PROTECTION EQUIPMENT SYSTEM FOR ACCESS AS DEFINED BY THE OCCUPATIONAL HEALTH AND SAFETY REGULATIONS OF SASKATCHEWAN. IF THIS CANNOT BE ACHIEVED WITHIN THE TYPICAL DIMENSIONS SHOWN ON THIS DRAWING, THE METER LOCATION AND ACCESS MUST BE APPROVED BY THE SASKATOON WATER DEPARTMENT.
12. PIPING MATERIAL AND INSTALLATION MUST COMPLY WITH THE CANADIAN PLUMBING CODE AND THE CITY OF SASKATOON STANDARD CONSTRUCTION SPECIFICATIONS. PIPING ON EACH SIDE OF THE METER SHALL BE ADEQUATELY SUPPORTED AND ANCHORED TO MAINTAIN PIPE ALIGNMENT AND SUPPORT THE WEIGHT OF THE METER AND BACKFLOW ASSEMBLY.
13. CORPORATION COUPLING/PIPING MUST BE SECURED SO THAT THE SERVICE IS HELD FIRMLY IN PLACE.
14. CURB COCK (CC) MUST BE BETWEEN 150mm & 230mm (6"-9") FROM BELOW FINISHED BACK OF SIDEWALK GRADE, AND POLY PIPE MARKER LEFT IN PLACE AND EXPOSED.
15. PROVIDE EXPANSION TANK DOWNSTREAM OF THE BACKFLOW PREVENTOR AS REQUIRED IN ACCORDANCE WITH THE CANADIAN PLUMBING CODE



**EXTRACT FROM BYLAW #7567**

**NEW WATER METERS**

24. (1) ALL SERVICED BUILDINGS CONSTRUCTED AFTER THE PASSAGE OF THIS BYLAW SHALL HAVE A REMOTE READOUT WATER METER AT A LOCATION DETERMINED BY SASKATOON WATER DEPARTMENT.
- (2) THE WIRE TYPE USED FOR THE INSTALLATION OF A REMOTE READOUT WATER METER SHALL BE CSA TYPE PCC, FT4, 22AWG OR EQUIVALENT, INSTALLED AT THE OWNER'S EXPENSE.

PLAN DESCRIPTION/REVISION	DATE	BY
1 ORIGINAL STANDARD SPECIFICATION DRAWING	2011-JUN-30	TPD
2 CHGD NUMBER SYSTEM & TITLE BLOCK. ADDED CORPORATION COUPLING	2015-SEP-16	CJP
3 CHGD DWG NUMBER, CHGD TITLE BLOCK, AND REMOVED CONTACT INFO	2024-FEB-28	MJ/DLH
4 UPDATED DRAWING AND NOTES. ADDED FLOOR DRAIN	2024-NOV-01	OCO



TYPICAL SMALL WATER METER  
 INSTALLATION 19mm & 25mm  
 (3/4" & 1" METER)

**APPROVALS**

SIGNATURE		SIGNATURE	
NAME		NAME	
DATE SIGNED		DATE SIGNED	
SCALES: HOR. NTS VERT. NTS	PLAN NO.	102-0013-023r004	

**NOTES:**

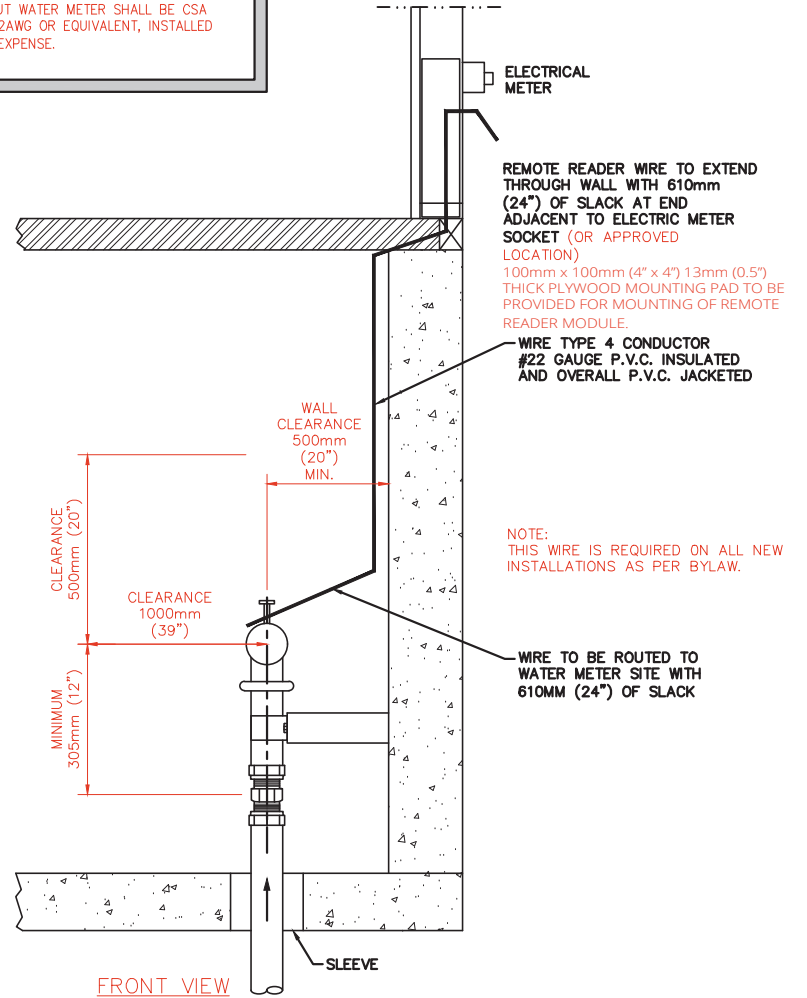
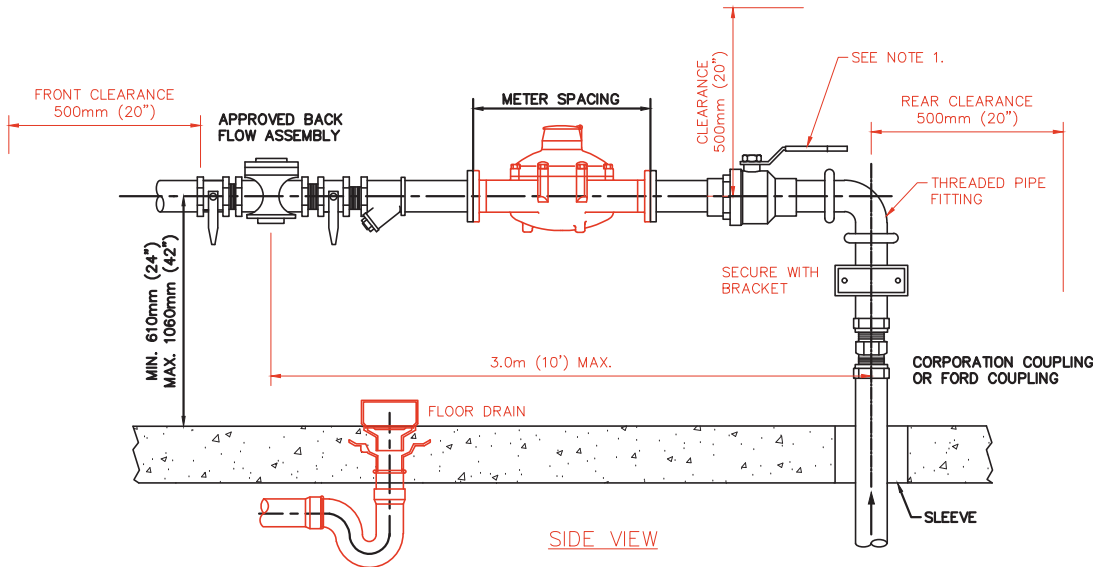
1. FULL PORT BALL VALVE UPSTREAM.
2. CLEARANCE AROUND METER: 500mm (20") TO SIDES AND 1000mm (39") IN FRONT.
3. \*BYPASS IS NOT REQUIRED.\* CONTACT WATER METER SECTION FOR APPROVAL REQUIREMENTS.
4. METER SPACING: (FLANGE TO FLANGE)  
 38mm(1 1/2") - 330 mm (13")  
 50mm(2") - 430 mm (17")
5. FLOOR DRAIN REQUIRED WITHIN 2000mm (78") OF METER ASSEMBLY.
6. ALLOW ADEQUATE ROOM FOR TESTING OF APPROVED BACK FLOW ASSEMBLY.
7. THERE SHALL BE NO TAPS, TAKE-OFFS OR TIE-INS TO THE SERVICE PLUMBING UPSTREAM OF THE APPROVED BACK FLOW ASSEMBLY.
8. THERE SHALL BE NO BYPASSES AROUND THE APPROVED BACK FLOW ASSEMBLY UNLESS THE BYPASS IS FITTED WITH AN APPROVED BACK FLOW ASSEMBLY OF THE SAME TYPE.
9. APPROVED BACK FLOW ASSEMBLY, APPROPRIATE FOR THE HAZARD CLASSIFICATION MUST BE INSTALLED WITHIN 3m OF SERVICE ENTRY DOWNSTREAM OF THE METER. ALL NEW METER INSTALLATIONS MORE THAN THIRTY-EIGHT (38) MILLIMETRES IN DIAMETER SHALL BE FIRST APPROVED BY THE SASKATOON WATER DEPARTMENT, THROUGH THE SUBMISSION OF A METER SETTING DRAWING ACCEPTABLE TO THE SASKATOON WATER DEPARTMENT.
10. THE OWNER SHALL PROVIDE A SUITABLE SITE FOR THE WATER METER AT A HORIZONTAL SETTING, WITHIN 2m OF POINT OF ENTRY FOR THE WATER SERVICE CONNECTION INSIDE THE BUILDING AS PER BYLAW #7567.
11. WATER METERS SHALL REQUIRE 2M (6") HEADROOM SERVICE CLEARANCE IN FRONT OF THE METER AND SHALL NOT BE INSTALLED IN CRAWLSPACES, CONFINED ENTRY SPACES OR SPACES THAT REQUIRE A FALL PROTECTION EQUIPMENT SYSTEM FOR ACCESS AS DEFINED BY THE OCCUPATIONAL HEALTH AND SAFETY REGULATIONS OF SASKATCHEWAN. IF THIS CANNOT BE ACHIEVED WITHIN THE TYPICAL DIMENSIONS SHOWN ON THIS DRAWING, THE METER LOCATION AND ACCESS MUST BE APPROVED BY THE SASKATOON WATER DEPARTMENT.
12. PIPING MATERIAL AND INSTALLATION MUST COMPLY WITH THE CANADIAN PLUMBING CODE AND THE CITY OF SASKATOON STANDARD CONSTRUCTION SPECIFICATIONS. PIPING ON EACH SIDE OF THE METER SHALL BE ADEQUATELY SUPPORTED AND ANCHORED TO MAINTAIN PIPE ALIGNMENT AND SUPPORT THE WEIGHT OF THE METER AND BACKFLOW ASSEMBLY.
13. CORPORATION COUPLING/PIPING MUST BE SECURED SO THAT THE SERVICE IS HELD FIRMLY IN PLACE.
14. IF SERVICE IS GREATER THAN 50mm SEE DRAWING 102-0013-022 OR 102-0013-025.

EXTRACT FROM BYLAW #7567

NEW WATER METERS

24. (1) ALL SERVICED BUILDINGS CONSTRUCTED AFTER THE PASSAGE OF THIS BYLAW SHALL HAVE A REMOTE READOUT WATER METER AT A LOCATION DETERMINED BY SASKATOON WATER DEPARTMENT.

(2) THE WIRE TYPE USED FOR THE INSTALLATION OF A REMOTE READOUT WATER METER SHALL BE CSA TYPE PCC, FT4, 22AWG OR EQUIVALENT, INSTALLED AT THE OWNER'S EXPENSE.



PLAN DESCRIPTION/REVISION	DATE	BY
1 ORIGINAL STANDARD SPECIFICATION DRAWING	2011-JUN-30	TPD
2 CHGD NUMBER SYSTEM & TITLE BLOCK. ADDED CORPORATION COUPLING	2015-SEP-16	CJP
3 ADDED NOTE 13	2016-MAY-24	DMR
4 CHGD DWG NUMBER, TITLE BLOCK & NOTE 10. REMOVED CONTACT INFO	2024-FEB-28	MJ/DLH
5 UPDATED DRAWING AND NOTES. ADDED FLOOR DRAIN	2024-NOV-01	OCO



**TYPICAL INTERMEDIATE WATER METER  
INSTALLATION 38mm & 50mm  
( 1 1/2" & 2")**

APPROVALS	
SIGNATURE	SIGNATURE
NAME	NAME
DATE SIGNED	DATE SIGNED
SCALES: HOR. NTS VERT.	PLAN NO. <b>102-0013-024r005</b>

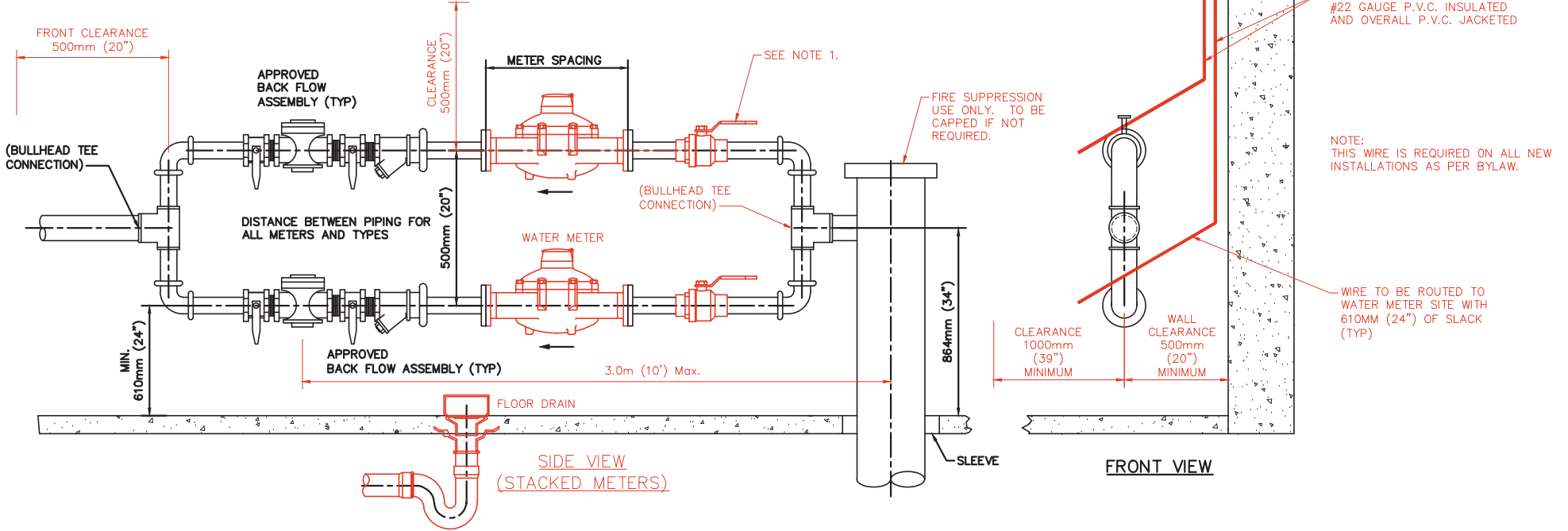
**NOTES:**

1. FULL PORT BALL VALVE UPSTREAM.
2. **CLEARANCE AROUND METER: 500mm (20") TO SIDES AND 1000mm (39") IN FRONT.**
3. \*BYPASS IS NOT REQUIRED.\* CONTACT WATER METER SECTION FOR APPROVAL REQUIREMENTS.
4. **METER SPACING: (FLANGE TO FLANGE)**  
 38mm (1 1/2") - 330 mm (13")  
 50mm (2") - 432 mm (17")
5. FLOOR DRAIN REQUIRED WITHIN 2000mm (78") OF METER ASSEMBLY
6. **ALLOW ADEQUATE ROOM FOR TESTING OF APPROVED BACK FLOW ASSEMBLY.**
7. **THERE SHALL BE NO TAPS, TAKE-OFFS OR TIE-INS TO THE SERVICE PLUMBING UPSTREAM OF THE APPROVED BACK FLOW ASSEMBLY.**
8. **THERE SHALL BE NO BYPASSES AROUND THE APPROVED BACK FLOW ASSEMBLY UNLESS THE BYPASS IS FITTED WITH AN APPROVED BACK FLOW ASSEMBLY OF THE SAME TYPE.**
9. **APPROVED BACK FLOW ASSEMBLY, APPROPRIATE FOR THE HAZARD CLASSIFICATION MUST BE INSTALLED WITHIN 3m OF SERVICE ENTRY DOWNSTREAM OF THE METER. ALL NEW METER INSTALLATIONS MORE THAN THIRTY-EIGHT (38) MILLIMETRES IN DIAMETER SHALL BE FIRST APPROVED BY THE SASKATOON WATER DEPARTMENT, THROUGH THE SUBMISSION OF A METER SETTING DRAWING ACCEPTABLE TO THE SASKATOON WATER DEPARTMENT.**
10. **THE OWNER SHALL PROVIDE A SUITABLE SITE FOR THE WATER METER AT A HORIZONTAL SETTING, WITHIN 2m OF POINT OF ENTRY FOR THE WATER SERVICE CONNECTION INSIDE THE BUILDING AS PER BYLAW #7567.**
11. WATER METERS SHALL REQUIRE 2M (6') HEADROOM SERVICE CLEARANCE IN FRONT OF THE METER AND SHALL NOT BE INSTALLED IN CRAWLSPACES, CONFINED ENTRY SPACES OR SPACES THAT REQUIRE A FALL PROTECTION EQUIPMENT SYSTEM FOR ACCESS AS DEFINED BY THE OCCUPATIONAL HEALTH AND SAFETY REGULATIONS OF SASKATCHEWAN. IF THIS CANNOT BE ACHIEVED WITHIN THE TYPICAL DIMENSIONS SHOWN ON THIS DRAWING, THE METER LOCATION AND ACCESS MUST BE APPROVED BY THE SASKATOON WATER DEPARTMENT.
12. PIPING MATERIAL AND INSTALLATION MUST COMPLY WITH THE CANADIAN PLUMBING CODE AND THE CITY OF SASKATOON STANDARD CONSTRUCTION SPECIFICATIONS. PIPING ON EACH SIDE OF THE METER SHALL BE ADEQUATELY SUPPORTED AND ANCHORED TO MAINTAIN PIPE ALIGNMENT AND SUPPORT THE WEIGHT OF THE METER AND BACKFLOW ASSEMBLY.


EXTRACT FROM BYLAW #7567  
**NEW WATER METERS**

24. (1) ALL SERVICED BUILDINGS CONSTRUCTED AFTER THE PASSAGE OF THIS BYLAW SHALL HAVE A REMOTE READOUT WATER METER AT A LOCATION DETERMINED BY SASKATOON WATER DEPARTMENT.

(2) THE WIRE TYPE USED FOR THE INSTALLATION OF A REMOTE READOUT WATER METER SHALL BE CSA TYPE PCC, FT4, 22AWG OR EQUIVALENT, INSTALLED AT THE OWNER'S EXPENSE.



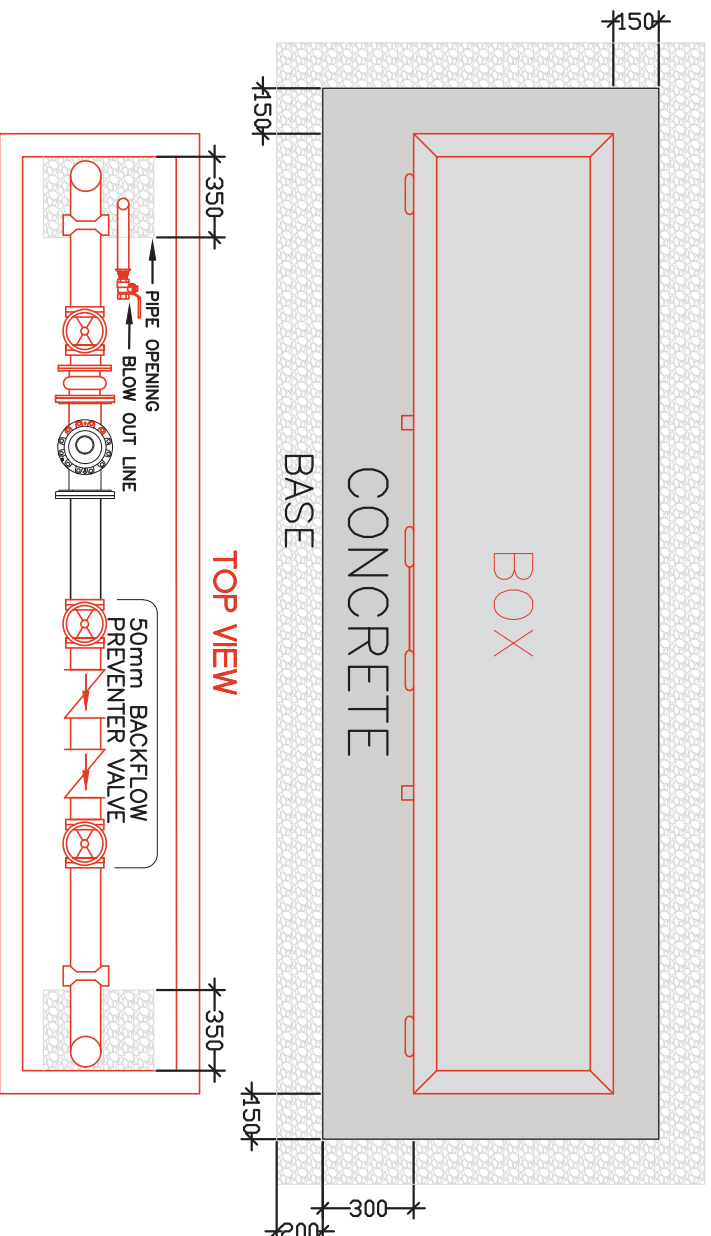
PLAN DESCRIPTION/REVISION	DATE	BY
1 ORIGINAL STANDARD SPECIFICATION DRAWING	2011-JUN-30	TPD
2 CHGD NUMBER SYSTEM & TITLE BLOCK. ADDED CORPORATION COUPLING	2015-SEP-16	CJP
3 REVISED BULLHEAD TEE IN ELEVATION VIEW	2016-MAR-10	CJP
4 DELETED PLAN VIEW & REVISED SIDE ELEVATION	2016-MAY-24	DMR
5 CHGD DWG NUMBER, TITLE BLOCK & NOTE 1. REMOVED CONTACT INFO	2016-MAY-24	DMR
6 UPDATED DRAWING AND NOTES. ADDED FLOOR DRAIN	2024-NOV-01	OCO

  
**City of Saskatoon**  
 TYPICAL LAYOUT FOR PARALLEL WATER METERS  
 (NO BYPASS 38mm & 50mm)

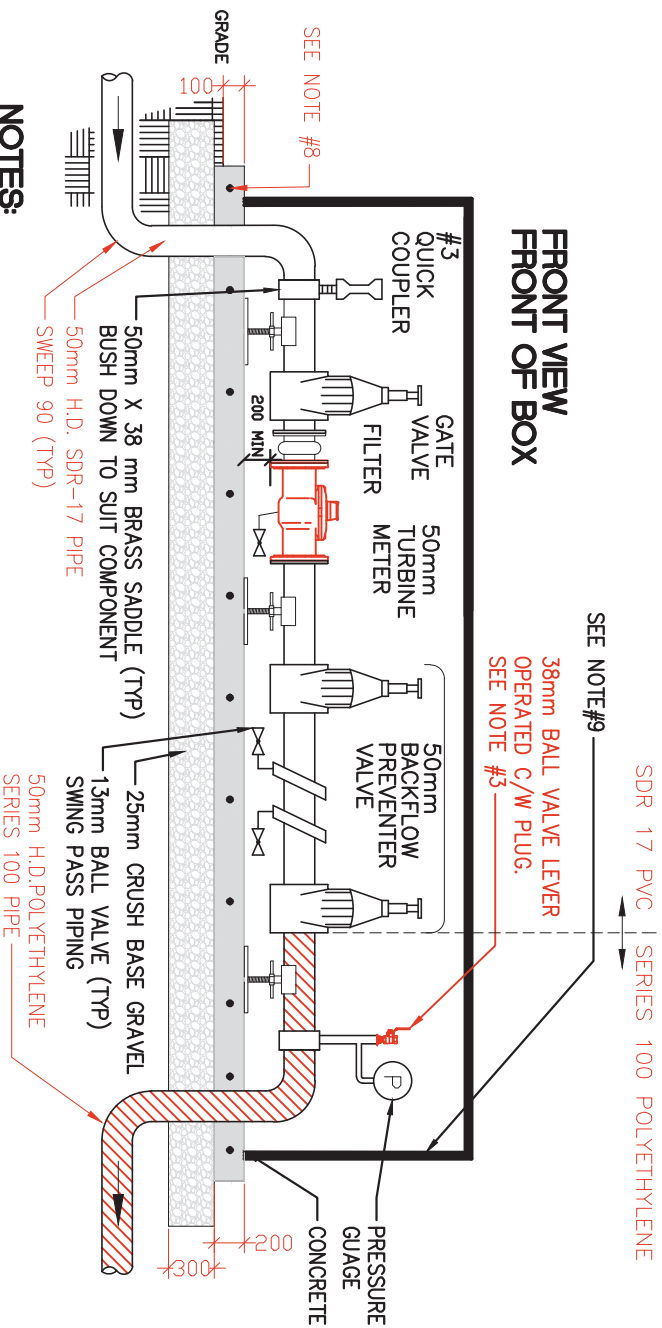
APPROVALS	
SIGNATURE	SIGNATURE
NAME	NAME
DATE SIGNED	DATE SIGNED
SCALES: HOR. NTS VERT.	PLAN NO. <b>102-0013-025r006</b>

TOP VIEW

NOV 18, 2024



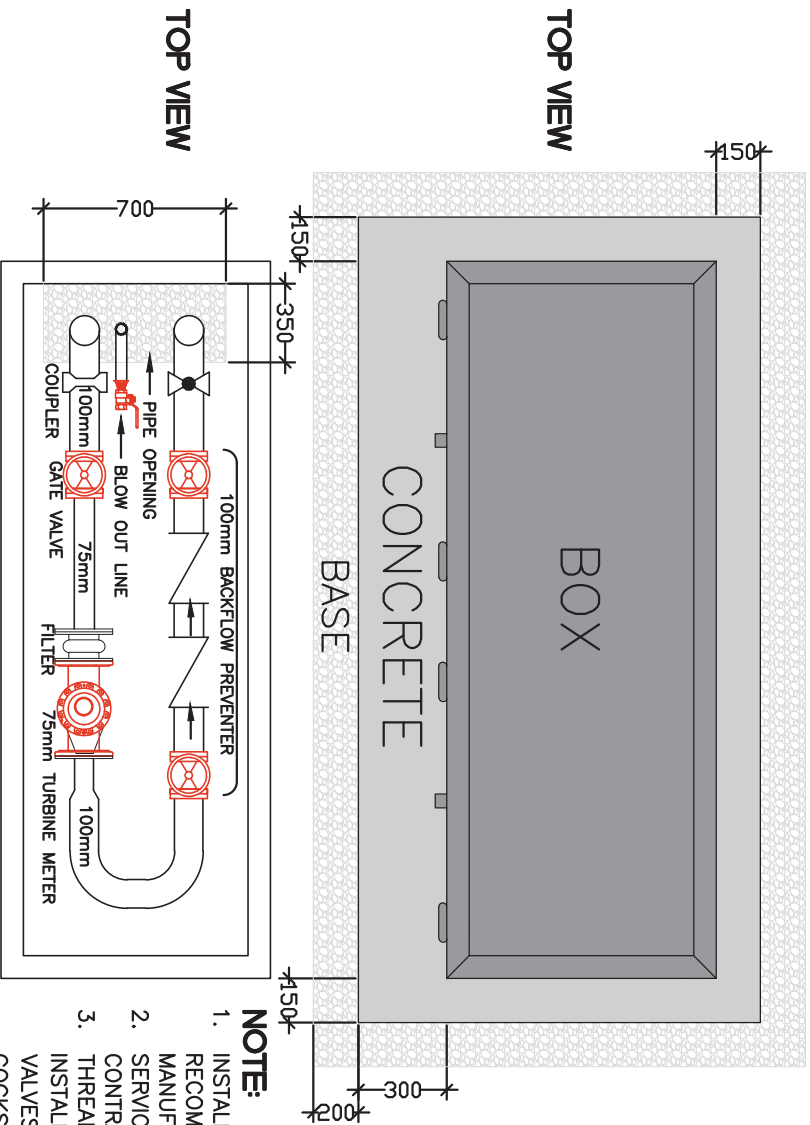
**FRONT VIEW  
FRONT OF BOX**



- NOTES:**
1. INSTALL PER CLEARANCES RECOMMENDED BY MANUFACTURER.
  2. SERVICE BOX SUPPLIED BY CONTRACTOR
  3. THREADED PVC PLUGS INSTALLED IN ALL OPEN END VALVES (ie. DRAINS & TEST COCKS ETC.).
  4. INSTALL ONLY BRASS SADDLES IN SERVICE BOX.
  5. MAXIMUM DISTANCE AT INLET AND OUTLET OF BOX IS 300mm TO FLANGE.
  6. LENGTH OF STRAIGHT PIPE BEFORE METER IS 5 X PIPE DIA. AND 3 X PIPE DIA AFTER METER.
  7. ALL DIMENSIONS ARE IN MILLIMETERS
  8. STEEL REBAR (TYP)  
-10M 400mm O/C EACH WAY  
-38mm FROM EDGE
  9. COROPLAST ROOT BARRIER TO COVER BOX OPENINGS

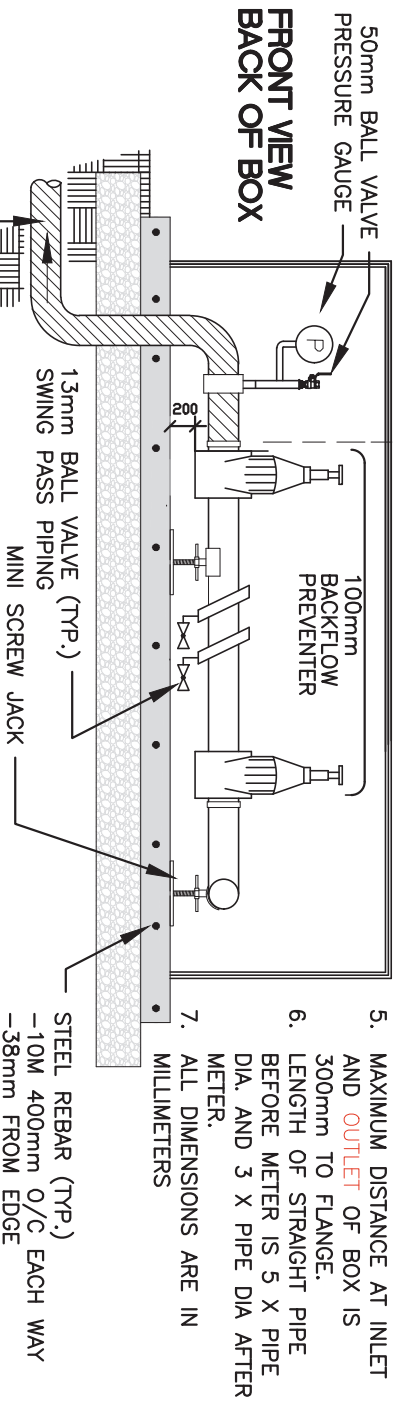


NOV 18, 2024

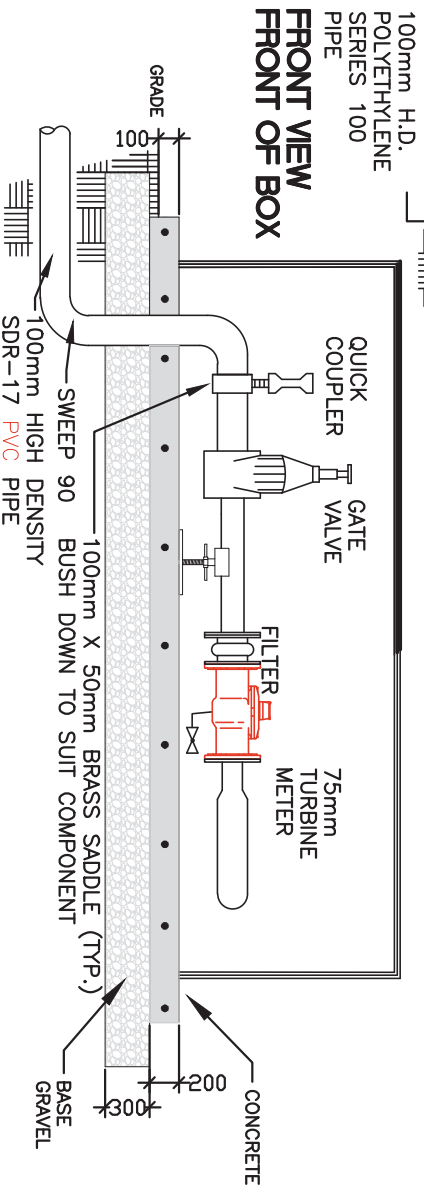


**TOP VIEW**

SERIES 100 POLYETHYLENE SDR 17 PVC



**FRONT VIEW  
BACK OF BOX**



**FRONT VIEW  
FRONT OF BOX**

**NOTE:**

1. INSTALL PER CLEARANCES RECOMMENDED BY MANUFACTURER.
2. SERVICE BOX SUPPLIED BY CONTRACTOR
3. THREADED PVC PLUGS INSTALLED IN ALL OPEN END VALVES (ie. DRAINS & TEST COCKS ETC.).
4. INSTALL ONLY BRASS SADDLES IN SERVICE BOX.
5. MAXIMUM DISTANCE AT INLET AND OUTLET OF BOX IS 300mm TO FLANGE.
6. LENGTH OF STRAIGHT PIPE BEFORE METER IS 5 X PIPE DIA. AND 3 X PIPE DIA AFTER METER.
7. ALL DIMENSIONS ARE IN MILLIMETERS