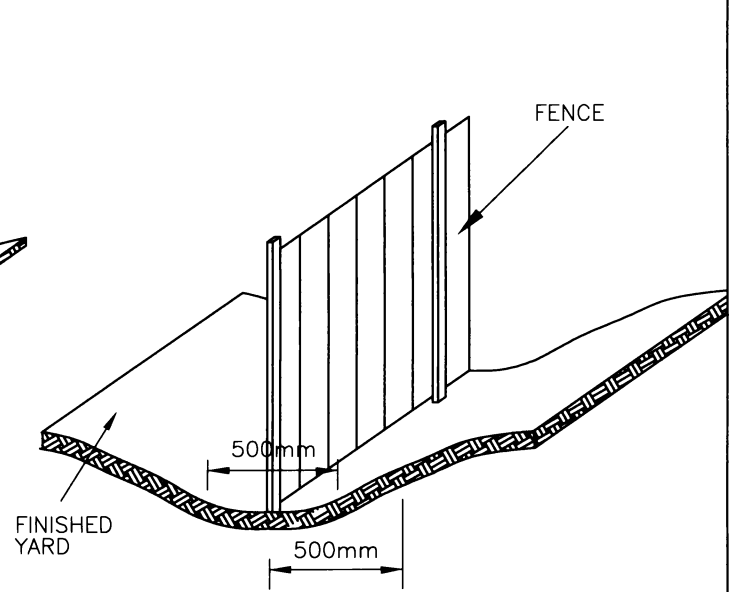
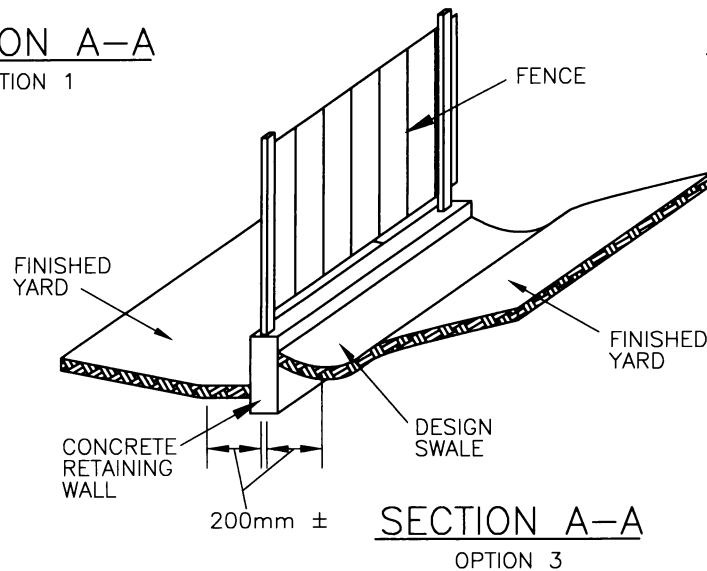


SECTION A-A
OPTION 1



SECTION A-A
OPTION 2

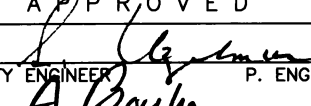
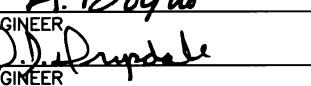


SECTION A-A
OPTION 3

REVISIONS	
1	OPTION 3 - 05/05/00
2	
3	
DRAWN BY <u>MRH</u>	
DATE <u>25/09/96</u>	
CHECKED BY _____	
DATE _____	

CITY OF SASKATOON
INFRASTRUCTURE SERVICES DEPARTMENT

EASEMENT GRADING
SIDE YARD GRADING

APPROVED	
	CITY ENGINEER P. ENG.
	ENGINEER
SCALES : HOR. <u>N.T.S.</u> VERT. <u>N.T.S.</u>	
PLAN NO. 102-0022-004r001	